

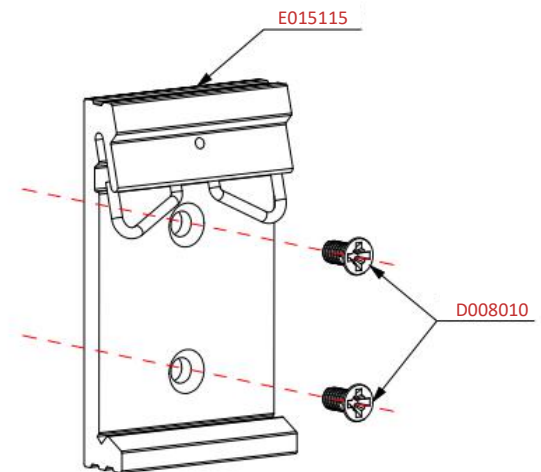
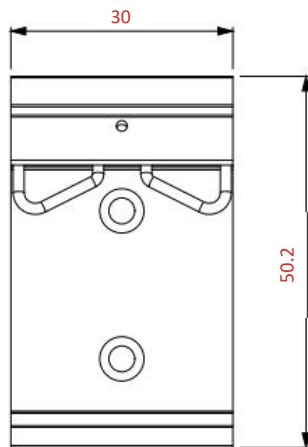
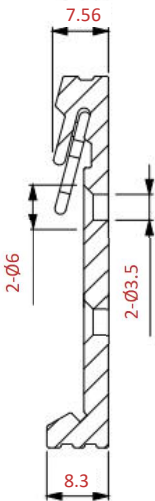
DIN RAIL MOUNTING KIT

PN: S050006



Technical Data

| | |
|------------------|-------------------------------|
| Mounting Type | Din Rail |
| Material | Aluminium, Stainless Steel |
| Weight | 17.18 g |
| Screw Included | M3x6 Countersunk Screw, 2 pcs |
| Dimensions | 30.0*50.2*8.3 mm |
| RoHS Compliant | √ |
| Related Products | R2010, R2011, R2110, R5020 |



Unit:mm